

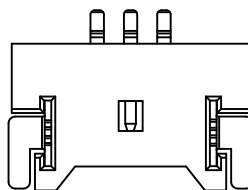
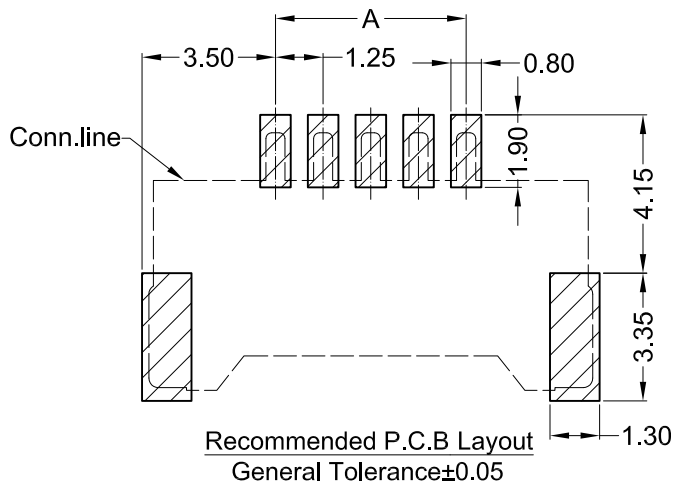
**Specifications :**

- Voltage rating: 125V AC / DC
- Current rating: 1A AC / DC
- Withstanding voltage: 250V AC/minute
- Temperature range: -25°C~+85°C
- Insulation resistance: ≥100MΩ
- Contact resistance: ≤20mΩ
- After environmental testing: ≤40mΩ

X9827 W R S-XX HF-XX V01 XX

① ② ③ ④ ⑤ ⑥ ⑦ ⑧ ⑨

- ① Series No.
- ② Category: W-wafer
- ③ Welding Board Angle: R- Right Angle 90°
- ④ Welding Way: S-SMT
- ⑤ Row No.-Pin No.: XX-02P~30P
- ⑥ Plug the Pin & Special No.: HF-Halogen Free
- ⑦ Material: 6T-PA6T 94V-0 ; 9T-PA9T 94V-0 ; 1T-PA10T
- ⑧ Planting Category: V01-Gold Flash
- ⑨ Color: Blank-natural color



02P~03P Single Hole Scale 1:0.7

Poles	Dimensions(mm)			Poles	Dimensions(mm)		
	A	B	C		A	B	C
02	1.25	7.65	2.90	10	11.25	17.65	12.90
03	2.50	8.90	4.15	11	12.50	18.90	14.15
04	3.75	10.15	5.40	12	13.75	20.15	15.40
05	5.00	11.40	6.65	13	15.00	21.40	16.65
06	6.25	12.65	7.90	14	16.25	22.65	17.90
07	7.50	13.90	9.15	15	17.50	23.90	19.15
08	8.75	15.15	10.40	16	18.75	25.15	20.40
09	10.00	16.40	11.65	20	23.75	30.15	25.40
				30	36.25	42.65	37.90

△	X9827WRS-XXHF-9TV01	PA9T UL 94V-0 (Halogen Free)	Phorphos bronze	Gold-Flash	Phorphos bronze	Gold-Flash	9827H
	X9827WRS-XX-1TV01	PA10T UL 94V-0					
	X9827WRS-XX-6TV01	PA6T UL 94V-0					
	X9827WRS-XX-9TV01	PA9T UL 94V-0					
	PART NO	Material	Material(Pin)	Finish(Pin)	Material (Solder Tabs)	Finish (Solder Tabs)	Suitable XKB Terminal

					DSND		DATE		SCALE: N/A	MODEL TYPE: X9827WRS-XX-XXV01		
					DWN		DATE		VIEW:	PART NO.:		
					CHKD		DATE		UNIT: mm	1.25mm Crimp Style Connectors		
					APPD		DATE		SIZE: A4	DWG NO.:		
REVISIONS					UNSPECIFIED TOLERANCES					WEIGHT	SHEET	REVISION
										1.0g	1/1	A0

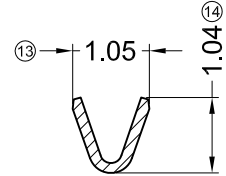
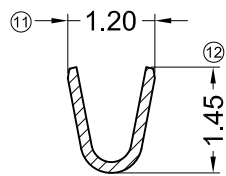
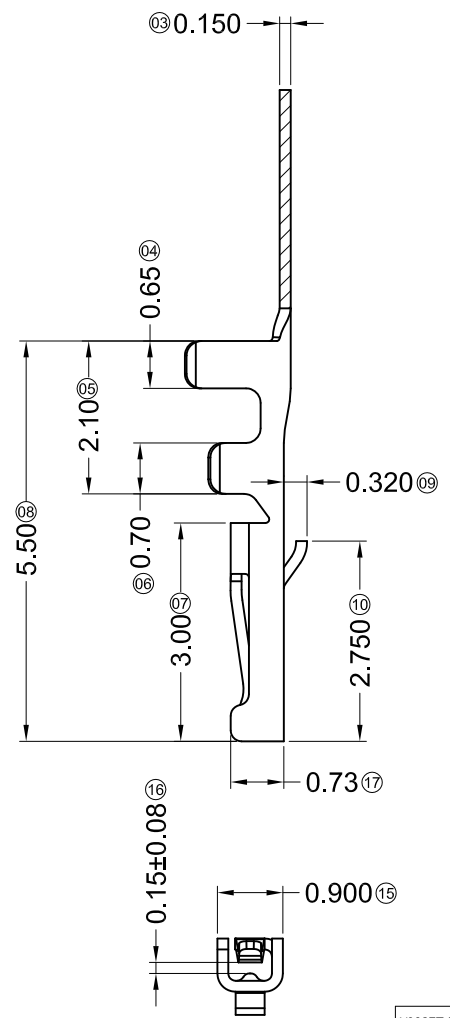
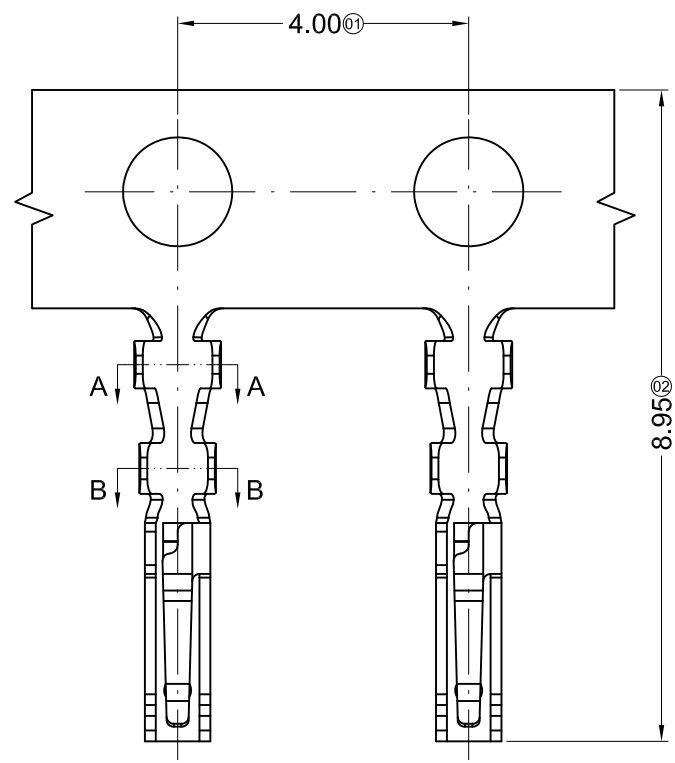
△ X	
△ X	
△ X	
MARK	DESCRIPTION

ANGULAR	± 5°
L ≤ 4	± 0.2
4 < L ≤ 16	± 0.3
16 < L ≤ 63	± 0.4
L > 63	± 0.5

1 2 3 4 5 6 7 8

A  
B  
C  
D  
E  
F

A  
B  
C  
D  
E  
F

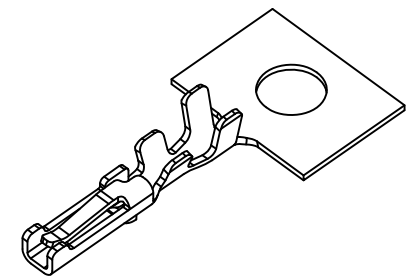


■ Specifications :

- Voltage rating: 125V AC / DC
- Current rating: 1A AC / DC
- Withstanding voltage: 250V AC/minute
- Temperature range: -25°C~+85°C
- Insulation resistance: ≥100MΩ
- Contact resistance: ≤20mΩ
- After environmental testing: ≤40mΩ

X9827 T X-P XX X-X  
① ② ③ ④ ⑤ ⑥ ⑦

- ① Series Number
- ② Category: T-terminal
- ③ Shape: Blank-ordinary
- ④ Material: P-Phosphor bronze
- ⑤ Plating style: V01-Gold Flash ; V03-Gold 3u" SN-Bright tin plating 70u"Min.; SN1-Bright tin plating 100u"Min.
- ⑥ Plating method: Blank-Stamping before plating
- ⑦ Mold No./Mark/Special No.

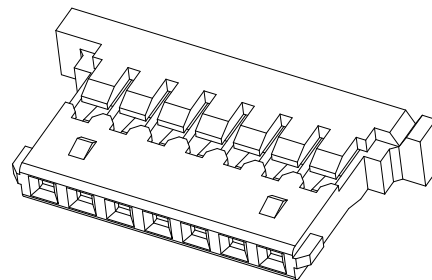
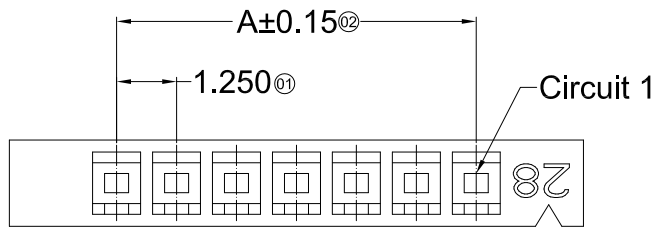


X9827T-PSN1	Phosphor Bronze	AWG#28-32	0.90mm(Max)	Stamping Before Plating:30u" Ni; 100u"Sn Min.	9827H
X9827T-PV01	Phosphor Bronze	AWG#28-32	0.90mm(Max)	Stamping Before Plating:30u" Ni;Whole Gold :Gold Flash	
X9827T-PV03	Phosphor Bronze	AWG#28-32	0.90mm(Max)	Stamping Before Plating:30u" Ni;Whole Gold:3u" Min.	
X9827T-PSN	Phosphor Bronze	AWG#28-32	0.90mm(Max)	Stamping Before Plating:30u" Ni;70u"Sn Min.	
PART NO	Material	Wire Range	Insulation O.D.	Finish	Suitable XKB

DSND	DATE	SCALE: N/A	MODEL TYPE: X9827T-PXXX
DWN	DATE	VIEW:	PART NO.:
CHKD	DATE	UNIT: mm	1.25mm Crimp Style Connectors
APPD	DATE	SIZE: A4	DWG NO.:
			WEIGHT 1.0g
			SHEET 1/1
			REVISION A0

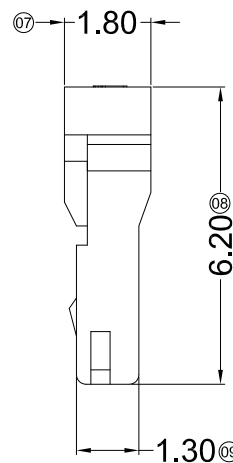
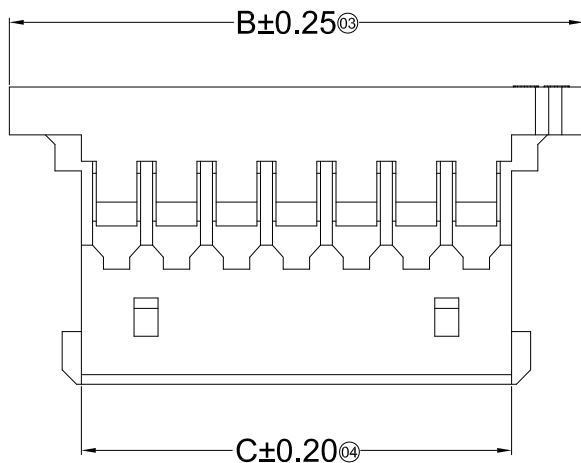
△ X					ANGULAR	± 5°
△ X					L ≤ 4	± 0.2
△ X					4 < L ≤ 16	± 0.3
△ X					16 < L ≤ 63	± 0.4
MARK	DESCRIPTION	DATE	REVISED	APPROVED	L > 63	± 0.5
REVISIONS					UNSPECIFIED TOLERANCES	

1 2 3 4 5 6 7 8



### Specifications :

- Voltage rating: 125V AC / DC
- Current rating: 1A AC / DC
- Withstanding voltage: 250V AC/minute
- Temperature range: -25°C~+85°C
- Insulation resistance: ≥100MΩ
- Contact resistance: ≤20mΩ
- After environmental testing: ≤40mΩ

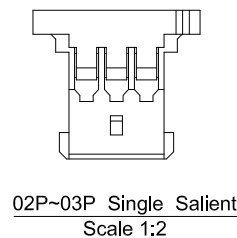
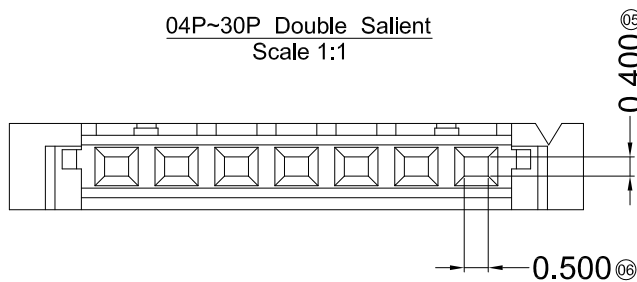


X9827 H X-XX X-N0 HF XX

① ② ③ ④ ⑤ ⑥ ⑦ ⑧

- ① Series No.
- ② Category: H-HSG
- ③ Welding Board Angle: Blank-ordinary
- ④ Row No.-Pin No.: XX-02P~30P
- ⑤ Plug the Pin & special No.:
- ⑥ Material: N0-PA66 94V-0
- ⑦ HF-Halogen free
- ⑧ Color: Blank-natural color; BK-Black

04P~30P Double Salient  
Scale 1:1



Poles	Dimensions(mm)			Poles	Dimensions(mm)		
	A	B	C		A	B	C
02	1.25	5.72	2.72	11	12.50	16.97	13.97
03	2.50	6.97	3.97	12	13.75	18.22	15.22
04	3.75	8.22	5.22	13	15.00	19.47	16.47
05	5.00	9.47	6.47	14	16.25	20.72	17.72
06	6.25	10.72	7.72	15	17.50	21.97	18.97
07	7.50	11.97	8.97	16	18.75	23.22	20.22
08	8.75	13.22	10.22	20	23.75	28.22	25.22
09	10.00	14.47	11.47	25	30.00	34.47	31.47
10	11.25	15.72	12.72	30	36.25	40.72	37.72

X9827H-XX-N0HFBK	Nylon 66 UL 94V-0 Black (Halogen-Free)	X9827T	X9827W
X9827H-XX-N0HF	Nylon 66 UL 94V-0 Halogen-Free		
X9827H-XX-N0	Nylon 66 UL 94V-0		
PART NO	Material	Suitable XKB Terminal	Suitable XKB Terminal

DSND	DATE	SCALE: N/A	MODEL TYPE: X9827H-XX-N0XX			
DWN	DATE	VIEW:	PART NO.:			
CHKD	DATE	UNIT: mm	1.25mm Crimp Style Connectors			
APPD	DATE	SIZE: A4	DWG NO.:			
REVISIONS			UNSPECIFIED TOLERANCES	WEIGHT	SHEET	REVISION
				1.0g	1/1	A0

△ X					ANGULAR	±5°
△ X					L ≤ 4	±0.2
△ X					4 < L ≤ 16	±0.3
MARK	DESCRIPTION	DATE	REVISED	APPROVED	16 < L ≤ 63	±0.4
					L > 63	±0.5