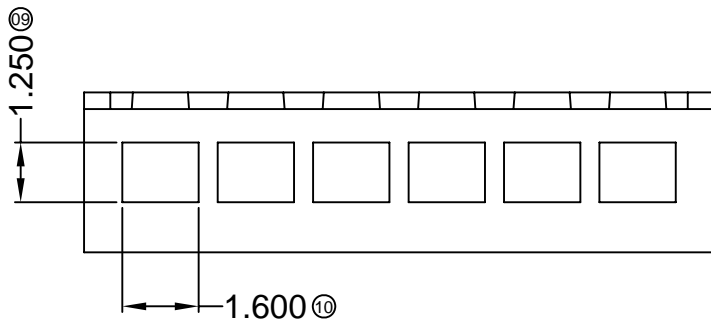
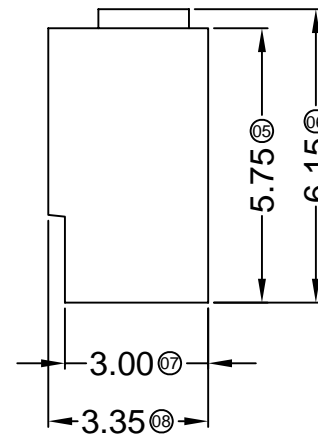
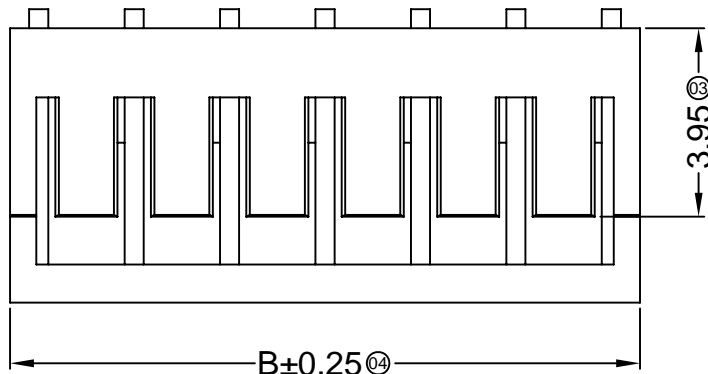


■ Specifications :

- Voltage rating: 250V AC / DC
- Current rating: 2A AC / DC
- Withstanding voltage: 800V AC/minute
- Temperature range: -25°C~+85°C
- Insulation resistance: ≥1000MΩ
- Contact resistance: ≤20mΩ
- After environmental testing: ≤30mΩ

X9020 H R-XX X-N0 XX
 ① ②③ ④ ⑤ ⑥ ⑦

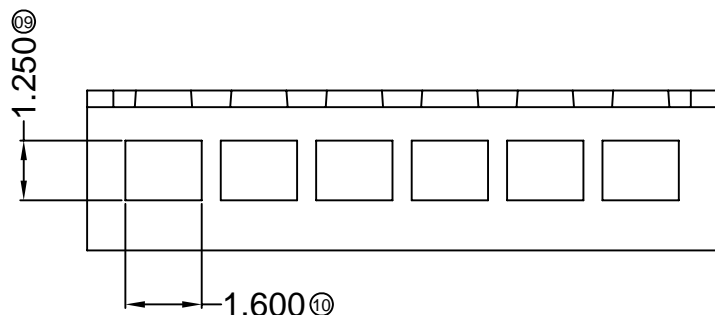
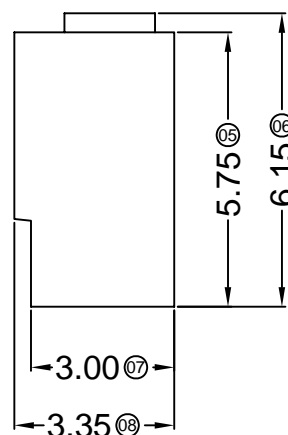
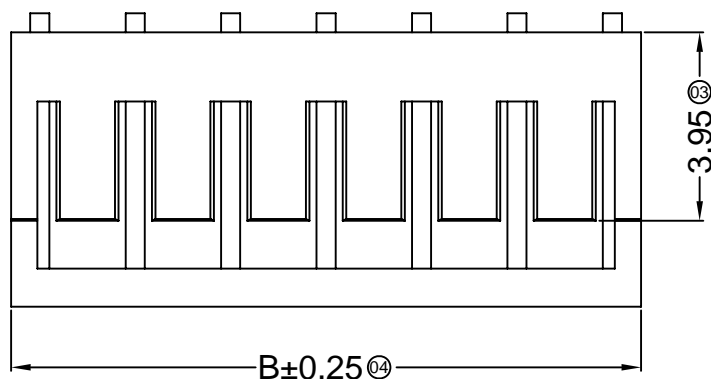
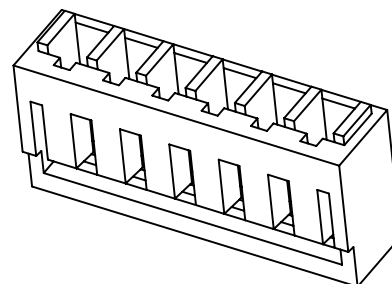
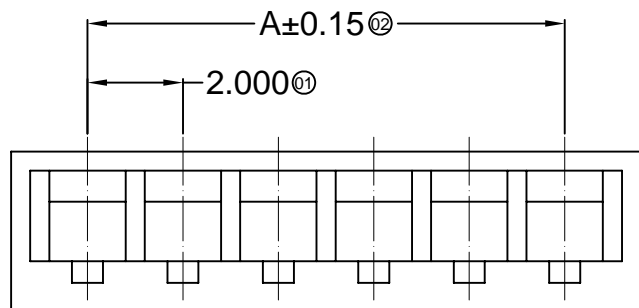
- ① Series No.
- ② Category: H-HSG
- ③ Appearance type: R-Right Angle 90°
- ④ Row No.-Pin No.: XX-02P~16P
- ⑤ Plug the Pin & special No.: Blank-Ordinary
- ⑥ Material: N0-PA66 UL 94V-0
- ⑦ Color: Blank-Natural Color
HF-Halogen Free



Poles	Dimensions (mm)		Poles	Dimensions (mm)	
	A	B		A	B
02	2.00	5.20	10	18.00	21.20
03	4.00	7.20	11	20.00	23.20
04	6.00	9.20	12	22.00	25.20
05	8.00	11.20	13	24.00	27.20
06	10.00	13.20	14	26.00	29.20
07	12.00	15.20	15	28.00	31.20
08	14.00	17.20	16	30.00	33.20
09	16.00	19.20			

X9020HR-XX-N0HF	PA66 UL 94V-0 Halogen Free	X9020TR
X 9020HR-XX-N0	PA66 UL 94V-0	
X PART N0	Material	Suitable SWB Terminal

REVISIONS					UNSPECIFIED TOLERANCES	DSND	DATE	SCALE: N/A	MODEL TYPE: 2.00mm Crimp Style Connectors
ΔX					ANGULAR				PART NO.:
ΔX					L ≤ 4			VIEW:	
ΔX					4 < L ≤ 16			UNIT: mm	DWG NO.:
MARK	DESCRIPTION	DATE	REVISED	APPROVED	16 < L ≤ 63			SIZE: A4	X9020HR-XX-N0XX
					L > 63				
www.xk-dg.cn www.helloxkb.com www.helloxkb.cn					XKB INDUSTRIAL PRECISION CO., LIMITED			WEIGHT	SHEET
								1.0g	1/1
									REVISION
									A0



Specifications :

- Voltage rating: 250V AC / DC
- Current rating: 2A AC / DC
- Withstanding voltage: 800V AC/minute
- Temperature range: -25°C~+85°C
- Insulation resistance: ≥1000MΩ
- Contact resistance: ≤20mΩ
- After environmental testing: ≤30mΩ

X 9020 H V-XX X-N0 XX
 ① ②③ ④ ⑤ ⑥ ⑦

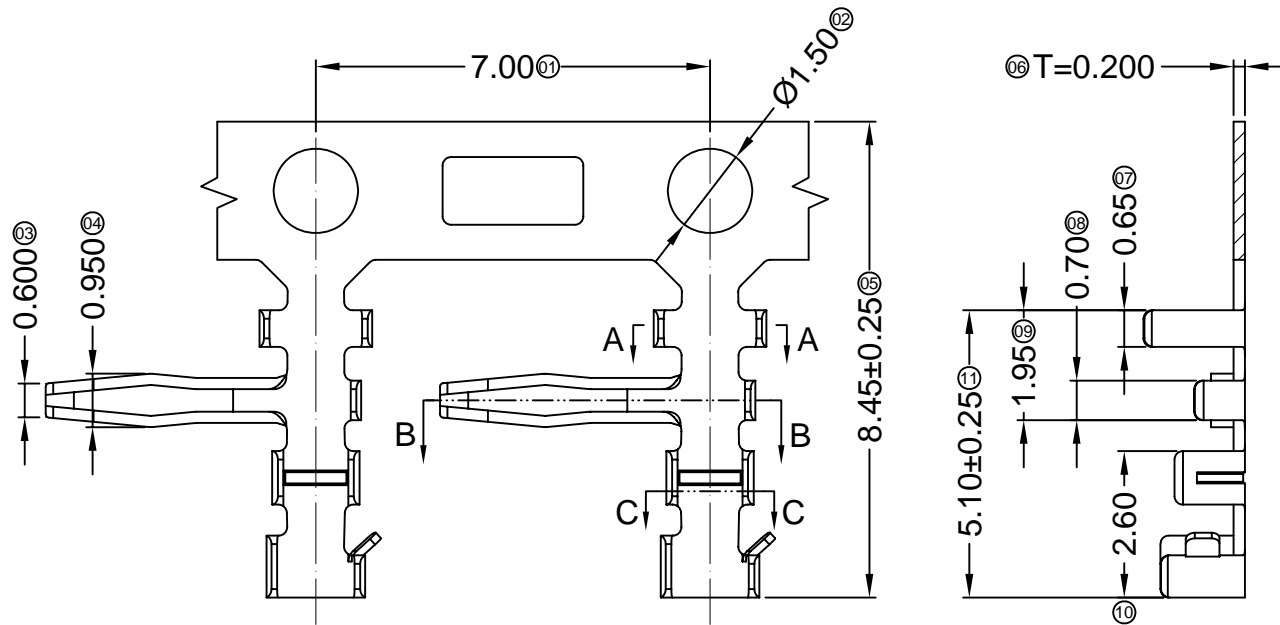
- ① Series No.
- ② Category: H-HSG
- ③ Appearance type: V-Straight 180°
- ④ Row No.-Pin No.: XX-02P~16P
- ⑤ Plug the Pin & special No.: Blank-Ordinary
- ⑥ Material: N0-PA66 UL 94V-0
- ⑦ Color: Blank-Natural Color
HF-Halogen Free

Poles	Dimensions (mm)		Poles	Dimensions (mm)	
	A	B		A	B
02	2.00	5.20	10	18.00	21.20
03	4.00	7.20	11	20.00	23.20
04	6.00	9.20	12	22.00	25.20
05	8.00	11.20	13	24.00	27.20
06	10.00	13.20	14	26.00	29.20
07	12.00	15.20	15	28.00	31.20
08	14.00	17.20	16	30.00	33.20
09	16.00	19.20			

X9020HV-XX-N0HF	PA66 UL 94V-0 Halogen Free	X 9020TV
X 9020HV-XX-N0	PA66 UL 94V-0	
PART NO	Material	Suitable SWB Terminal

MARK	DESCRIPTION	DATE	REVISED	APPROVED	UNSPECIFIED TOLERANCES
ΔX					ANGULAR ±5°
ΔX					L ≤ 4 ±0.2
ΔX					4 < L ≤ 16 ±0.3
					16 < L ≤ 63 ±0.4
					L > 63 ±0.5
REVISIONS					
www.xk-dg.cn www.helloxkb.com www.helloxkb.com					

DSND		DATE		SCALE: N/A	MODEL TYPE: 2.00mm Crimp Style Connectors	
DWN		DATE		VIEW:	PART NO.:	
CHKD		DATE		UNIT: mm	DWG NO.: X9020HV-XX-N0XX	
APPD		DATE		SIZE: A4		
XKB INDUSTRIAL PRECISION CO., LIMITED				WEIGHT	SHEET	REVISION
				1.0g	1/1	A0

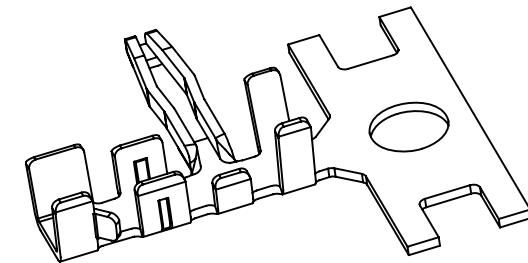
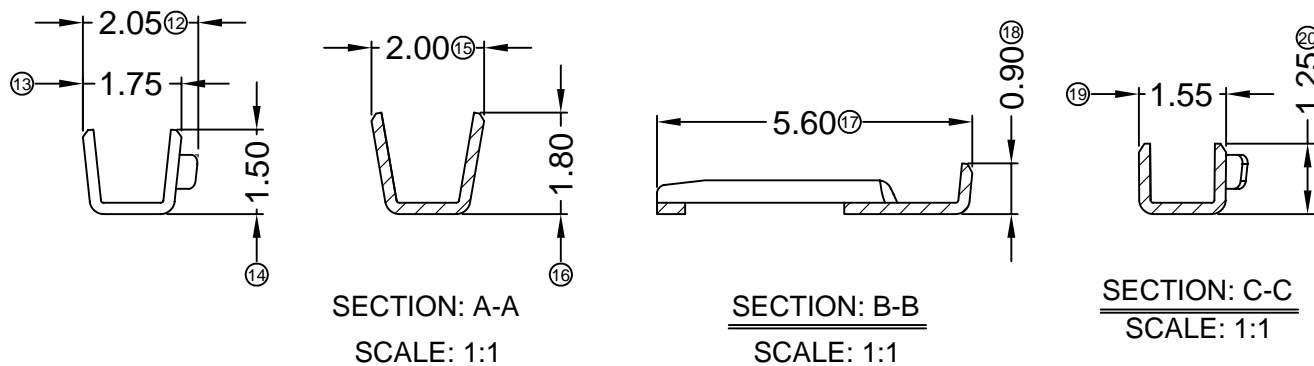


■ Specifications :

- Voltage rating: 250V AC / DC
- Current rating: 2A AC / DC
- Withstanding voltage: 800V AC/minute
- Temperature range: -25°C~+85°C
- Insulation resistance: ≥1000MΩ
- Contact resistance: ≤20mΩ
- After environmental testing: ≤30mΩ

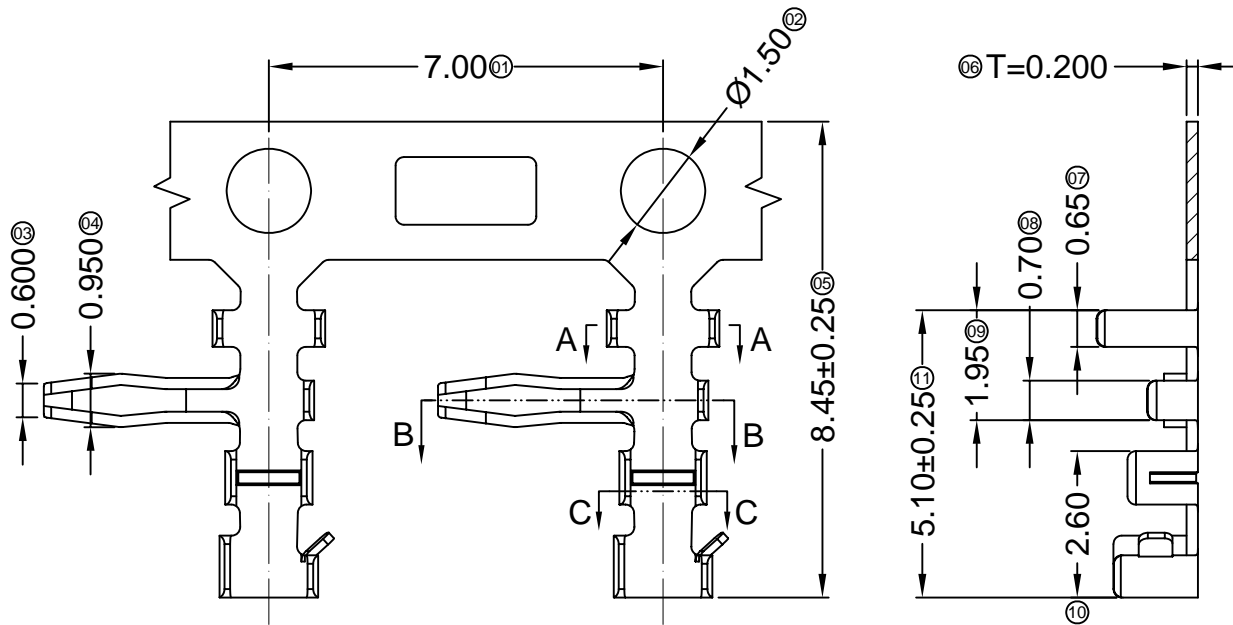
X9020 T R-B SN X - X
 ① ② ③ ④ ⑤ ⑥ ⑦

- ① Series Number
- ② Category: T-terminal
- ③ Shape: R-Right Angle 90°
- ④ Material: B-Brass
- ⑤ Plating style: SN-Bright tin plating
- ⑥ Plating method: Blank-Stamping before plating
- ⑦ Mold No./Mark/Special No. :



X9020TR-BSN	Brass	AWG#18-20	1.30mm(Max)	Stamping Before Plating:30u" MIN. Ni; 70u" MIN.Sn	9020HR
PART NO	Material	Wire Range	Insulation O.D.	Finish	Used In SWB Housing

					ANGLAR	±5°	DSND		DATE		SCALE: N/A	MODEL TYPE: 2.00mm Crimp Style Connectors		
Δx					L ≤ 4	±0.2	DWN		DATE		VIEW:	PART NO.:		
Δx					4 < L ≤ 16	±0.3	CHKD		DATE		UNIT: mm	DWG NO.:		
Δx					16 < L ≤ 63	±0.4	APPD		DATE		SIZE: A4	X9020TR-BSN		
MARK	DESCRIPTION	DATE	REVISED	APPROVED	L > 63	±0.5						WEIGHT	SHEET	REVISION
					UNSPECIFIED TOLERANCES		XKB INDUSTRIAL PRECISION CO.,LIMITED					1.0g	1/1	A0
www.xk-dg.cn www.helloxkb.com www.helloxkb.cn														

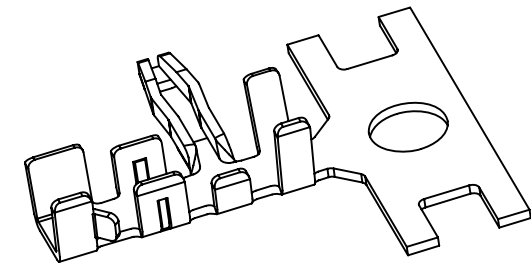
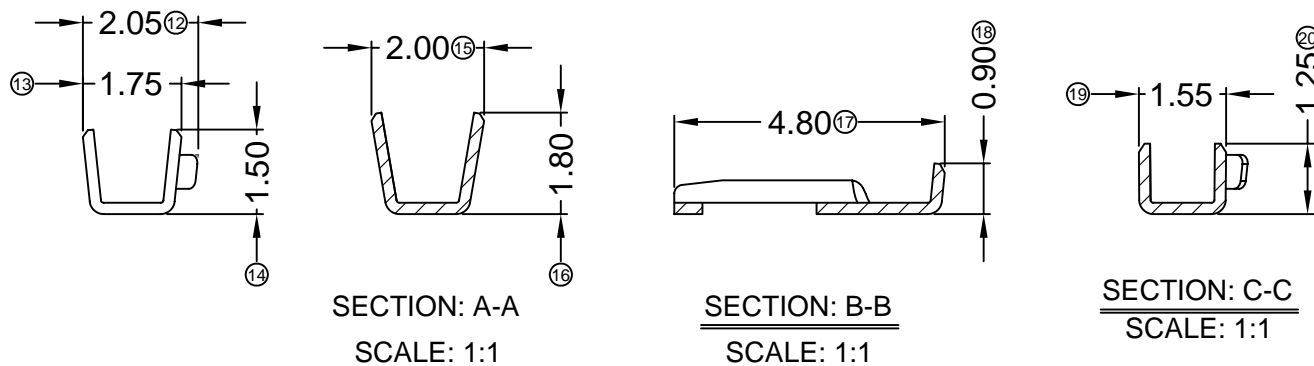


■ Specifications :

- Voltage rating: 250V AC / DC
- Current rating: 2A AC / DC
- Withstanding voltage: 800V AC/minute
- Temperature range: -25°C~+85°C
- Insulation resistance: ≥1000MΩ
- Contact resistance: ≤20mΩ
- After environmental testing: ≤30mΩ

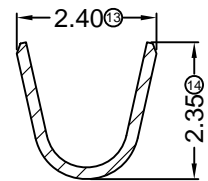
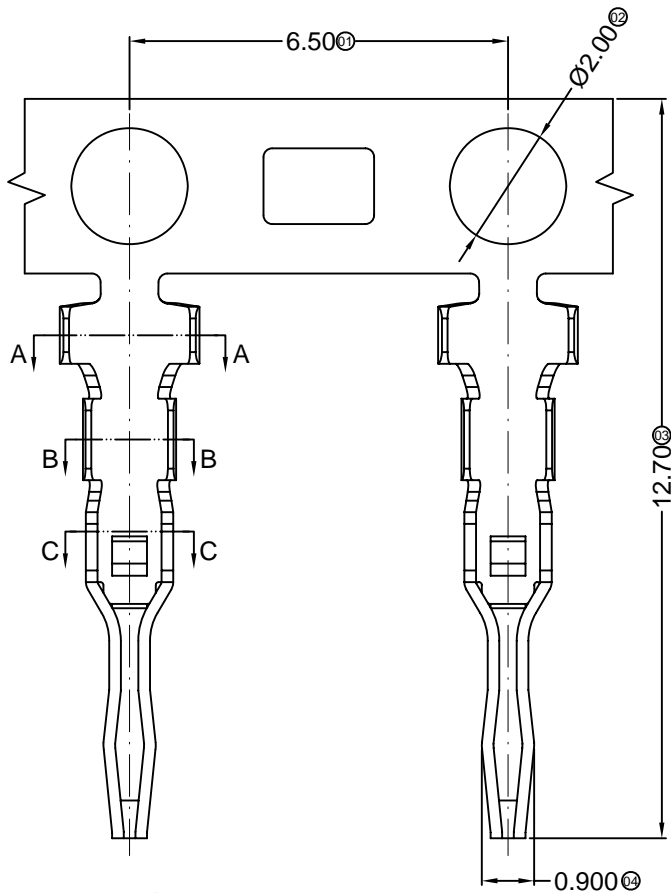
X 9020 T R-B SN X - A
 ① ② ③ ④ ⑤ ⑥ ⑦

- ① Series Number
- ② Category: T-terminal
- ③ Shape: R-Right Angle 90°
- ④ Material: B-Brass
- ⑤ Plating style: SN-Bright tin plating
- ⑥ Plating method: Blank-Stamping before plating
- ⑦ Mold No./Mark/Special No. : A-Short DIP

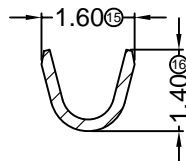


X9020TR-BSN-A	Brass	AWG#18-20	1.30mm(Max)	Stamping Before Plating:30u" MIN. Ni; 70u" MIN.Sn	9020HR
PART NO	Material	Wire Range	Insulation O.D.	Finish	Used In SWB Housing

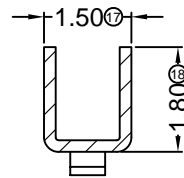
				ANGLAR	±5°	DSND		DATE		SCALE: N/A	MODEL TYPE: 2.00mm Crimp Style Connectors		
				L ≤ 4	±0.2	DWN		DATE		VIEW:	PART NO.:		
				4 < L ≤ 16	±0.3	CHKD		DATE		UNIT: mm	DWG NO.: X9020TR-BSN-A		
				16 < L ≤ 63	±0.4	APPD		DATE		SIZE: A4			
				L > 63	±0.5						WEIGHT	SHEET	REVISION
				UNSPECIFIED TOLERANCES		KXB INDUSTRIAL PRECISION CO.,LIMITED				1.0g	1/1	A0	
MARK	DESCRIPTION	DATE	REVISED	APPROVED									
REVISIONS													
www.xk-dg.cn www.helloxkb.com www.helloxkb.cn													



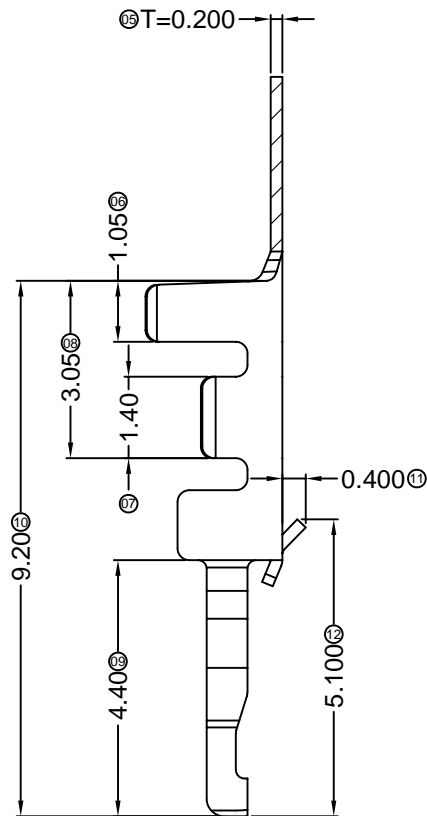
SECTION: A-A
SCALE: 1:1



SECTION: B-B
SCALE: 1:1



SECTION: C-C
SCALE: 1:1

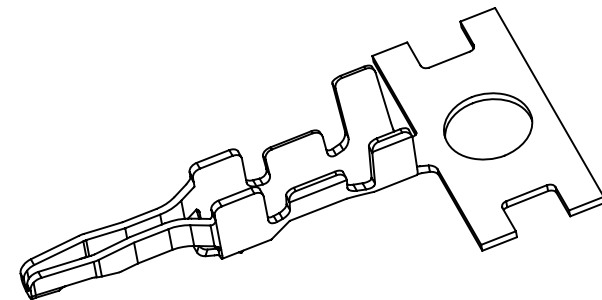


■ Specifications :

- Voltage rating: 250V AC / DC
- Current rating: 2A AC / DC
- Withstanding voltage: 800V AC/minute
- Temperature range: -25°C~+85°C
- Insulation resistance: ≥1000MΩ
- Contact resistance: ≤20mΩ
- After environmental testing: ≤30mΩ

X 9020 T V-B SN X - X
① ② ③ ④ ⑤ ⑥ ⑦

- ① Series Number
- ② Category: T-terminal
- ③ Shape: V-Straight 180°
- ④ Material: B-Brass
- ⑤ Plating style: SN-Bright tin plating
- ⑥ Plating method: Blank-Stamping before plating
- ⑦ Mold No./Mark/Special No. :



X9020TV-BSN	Brass	AWG#24-30	1.30mm(Max)	Stamping Before Plating:30u" MIN. Ni; 70u" MIN.Sn	9020HV
PART NO	Material	Wire Range	Insulation O.D.	Finish	Used In SWB Housing

					ANGLAR	±5°	DSND		DATE		SCALE: N/A	MODEL TYPE: 2.00mm Crimp Style Connectors		
					L ≤ 4	±0.2	DWN		DATE		VIEW:	PART NO.:		
					4 < L ≤ 16	±0.3	CHKD		DATE		UNIT: mm	DWG NO.: X 9020TV-BSN		
					16 < L ≤ 63	±0.4	APPD		DATE		SIZE: A4			
					L > 63	±0.5								
MARK	DESCRIPTION	DATE	REVISED	APPROVED	UNSPECIFIED TOLERANCES		KKB INDUSTRIAL PRECISION CO.,LIMITED					WEIGHT 1.0g	SHEET 1/1	REVISION A0
REVISIONS www.xk-dg.cn www.helloxkb.com www.helloxkb.cn														