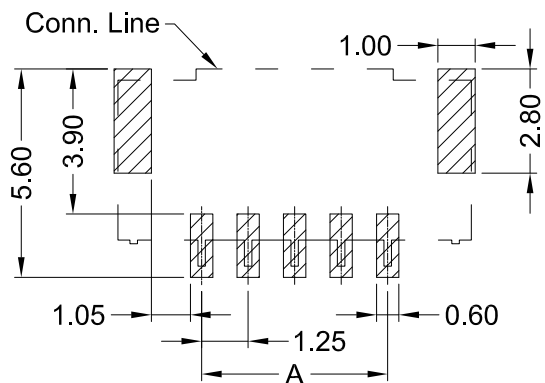
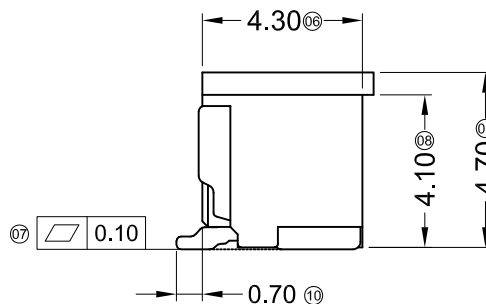
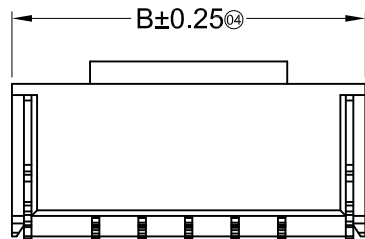


Specifications :

- Voltage rating: 50V AC / DC
- Current rating: 1A AC / DC
- Withstanding voltage: 500V AC/minute
- Temperature range: -25°C~+85°C
- Insulation resistance: ≥100MΩ
- Contact resistance: ≤30mΩ
- After environmental testing: ≤50mΩ

X1251 W V S-XX HF-XX SN XX
 ① ② ③ ④ ⑤ ⑥ ⑦ ⑧ ⑨

- ① Series No.
- ② Category: W-wafer
- ③ Welding Board Angle: V- Stright 180°
- ④ Welding Way: S-SMT
- ⑤ Row No.-Pin No.: XX-02P~15P
- ⑥ Plug the Pin & Special No.: HF-Halogen free
- ⑦ Material: 9T-PA9T 94V-0 ; LP-LCP 94V-0
- ⑧ Planting Category:
SN-Bright tin plating ; SW-Matte Tin plating
- ⑨ Color: Blank-Natural color



Recommended P.C.B Layout
 General Tolerance±0.05

| Poles | Dimensions(mm) | | | Poles | Dimensions(mm) | | |
|-------|----------------|-------|-------|-------|----------------|-------|-------|
| | A | B | C | | A | B | C |
| 02 | 1.25 | 5.75 | 3.75 | 09 | 10.00 | 14.50 | 12.50 |
| 03 | 2.50 | 7.00 | 5.00 | 10 | 11.25 | 15.75 | 13.75 |
| 04 | 3.75 | 8.25 | 6.25 | 11 | 12.50 | 17.00 | 15.00 |
| 05 | 5.00 | 9.50 | 7.50 | 12 | 13.75 | 18.25 | 16.25 |
| 06 | 6.25 | 10.75 | 8.75 | 13 | 15.00 | 19.50 | 17.50 |
| 07 | 7.50 | 12.00 | 10.00 | 14 | 16.25 | 20.75 | 18.75 |
| 08 | 8.75 | 13.25 | 11.25 | 15 | 17.50 | 22.00 | 20.00 |

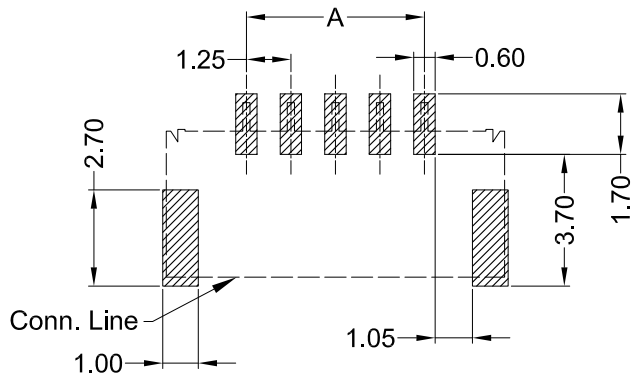
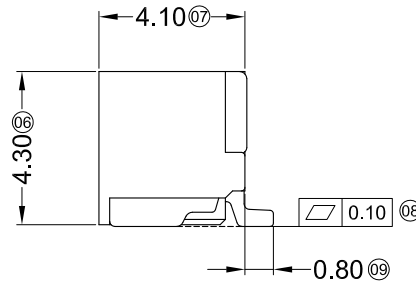
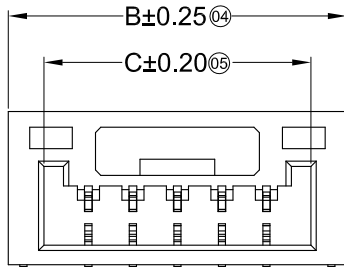
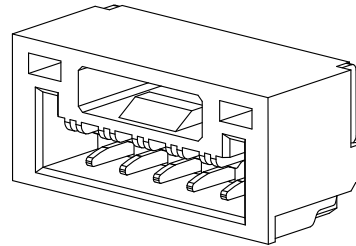
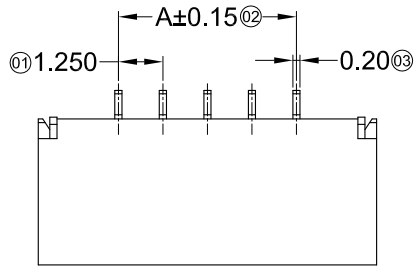
| | | | | |
|--------------------|------------------------------|--------------------|---|-----------------------|
| X1251WVS-XXHF-LPSW | LCP UL 94V-0 Halogen Free | Phorphos Bronze | Tin Plating Matte Tin 70u" Min. Over Ni 30u" | X1251H |
| X1251WVS-XX-9TSN | PA9T UL 94V-0 | | Tin-Plated Bright 70u" Over Ni 30u" | |
| PART NO | Material | Material(Pin) | Finish(Pin) | Suitable XKB Terminal |

For and on behalf of
XKB INDUSTRIAL PRECISION CO., LIMITED
 香港星坤工業精密有限公司

| | | | | | | |
|-----------|-------------|------|---------|----------|------------------------|------|
| △ X | | | | | ANGULAR | ±5° |
| △ X | | | | | L ≤ 4 | ±0.2 |
| △ X | | | | | 4 < L ≤ 16 | ±0.3 |
| MARK | DESCRIPTION | DATE | REVISED | APPROVED | 16 < L ≤ 63 | ±0.4 |
| | | | | | L > 63 | ±0.5 |
| REVISIONS | | | | | UNSPECIFIED TOLERANCES | |

| | | | | | | | |
|------|--|------|--|------------|-----------------------------------|-------|----------|
| DSND | | DATE | | SCALE: N/A | MODEL TYPE: X1251WVS-XXHF-XXXX | | |
| DWN | | DATE | | VIEW: | PART NO.: | | |
| CHKD | | DATE | | UNIT: mm | 1.25mm Crimp Style Connectors | | |
| APPD | | DATE | | SIZE: A4 | DWG NO.: | | |
| | | | | | WEIGHT | SHEET | REVISION |
| | | | | | 1.0g | 1/1 | A0 |

XKB INDUSTRIAL PRECISION CO., LIMITED



Recommended P.C.B Layout
General Tolerance±0.05

■ Specifications :

- Voltage rating: 50V AC / DC
- Current rating: 1A AC / DC
- Withstanding voltage: 500V AC/minute
- Temperature range: -25°C~+85°C
- Insulation resistance: ≥100MΩ
- Contact resistance: ≤30mΩ
- After environmental testing: ≤50mΩ

X1251 W R S-XX HF-XX SN XX
① ② ③ ④ ⑤ ⑥ ⑦ ⑧ ⑨

- ① Series No.
- ② Category: W-wafer
- ③ Welding Board Angle: R- Right Angle 90°
- ④ Welding Way: S-SMT
- ⑤ Row No.-Pin No.: XX-02P~15P
- ⑥ Plug the Pin & Special No.: HF-Halogen free
- ⑦ Material: 9T-PA9T 94V-0 ; 46-PA46 94V-0 ; LP-LCP 94V-0
- ⑧ Plating Category: SN-Bright tin plating ; SW-Fog Tin plating
- ⑨ Color: Blank-natural color

| Poles | Dimensions(mm) | | | Poles | Dimensions(mm) | | |
|-------|----------------|-------|-------|-------|----------------|-------|-------|
| | A | B | C | | A | B | C |
| 02 | 1.25 | 5.75 | 3.75 | 09 | 10.00 | 14.50 | 12.50 |
| 03 | 2.50 | 7.00 | 5.00 | 10 | 11.25 | 15.75 | 13.75 |
| 04 | 3.75 | 8.25 | 6.25 | 11 | 12.50 | 17.00 | 15.00 |
| 05 | 5.00 | 9.50 | 7.50 | 12 | 13.75 | 18.25 | 16.25 |
| 06 | 6.25 | 10.75 | 8.75 | 13 | 15.00 | 19.50 | 17.50 |
| 07 | 7.50 | 12.00 | 10.00 | 14 | 16.25 | 20.75 | 18.75 |
| 08 | 8.75 | 13.25 | 11.25 | 15 | 17.50 | 22.00 | 20.00 |

| | | | | |
|--------------------|---------------------------|------------------------|---|-----------------------|
| X1251WRS-XX-46SW | PA46 UL 94V-0 | Phorpos Bronze | Tin Plating Matte Tin 70u" Min.Over Ni 30u" | X1251H |
| X1251WRS-XXHF-LPSW | LCP UL 94V-0 Halogen Free | | Tin Plating Matte Tin 70u" Min.Over Ni 30u" | |
| X1251WRS-XX-9TSN | Nylon 9T UL 94V-0 | | Tin-Plated Bright 70u" Over Ni 30u" | |
| PART NO | Material | Material (Solder Tabs) | Finish (Solder Tabs) | Suitable XKB Terminal |

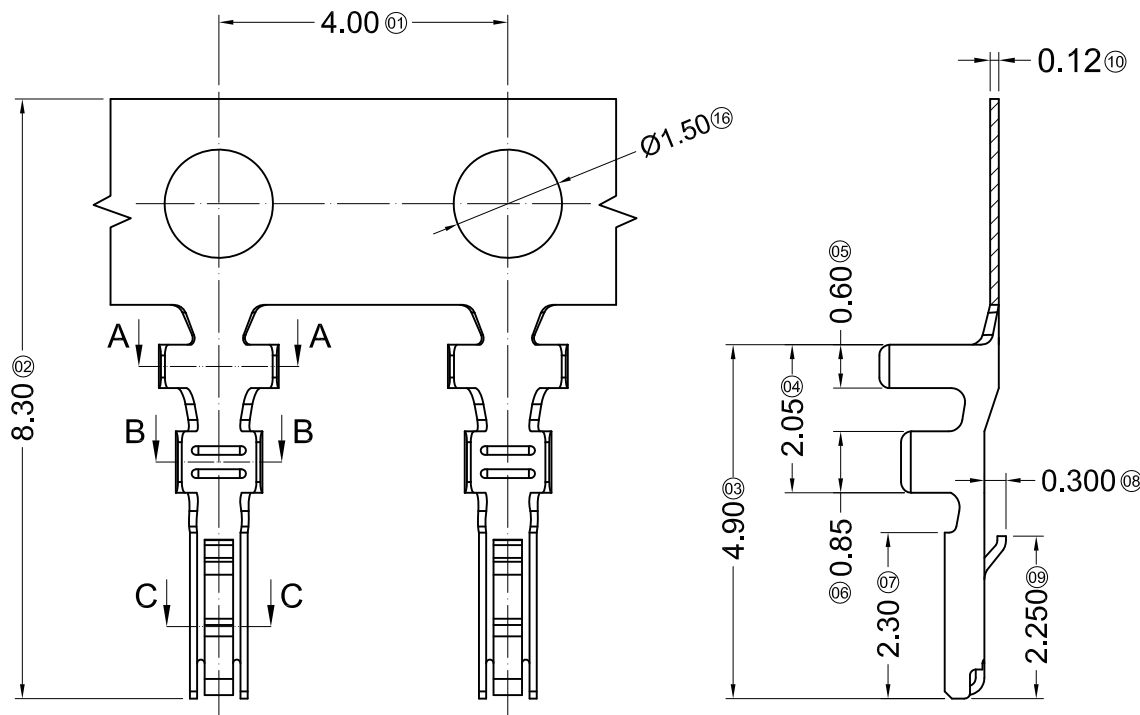
For and on behalf of
XKB INDUSTRIAL PRECISION CO., LIMITED
香港星坤工業精密有限公司

| | | | | | | | | | | | | | |
|------|-------------|------|---------|----------|------------------------|------|---------------------------------------|--|------|------------|-----------------------------------|-------|----------|
| △ X | | | | | ANGULAR | ±5° | DSND | | DATE | SCALE: N/A | MODEL TYPE: X1251WRS-XXHF-XXXX | | |
| △ X | | | | | L ≤ 4 | ±0.2 | DWN | | DATE | VIEW: | PART NO.: | | |
| △ X | | | | | 4 < L ≤ 16 | ±0.3 | CHKD | | DATE | UNIT: mm | 1.25mm Crimp Style Connectors | | |
| MARK | DESCRIPTION | DATE | REVISED | APPROVED | 16 < L ≤ 63 | ±0.4 | APPD | | DATE | SIZE: A4 | DWG NO.: | | |
| | REVISIONS | | | | UNSPECIFIED TOLERANCES | | XKB INDUSTRIAL PRECISION CO., LIMITED | | | | WEIGHT | SHEET | REVISION |
| | | | | | | | | | | | 1.0g | 1/1 | A0 |

1 2 3 4 5 6 7 8

A
B
C
D
E
F

A
B
C
D
E
F

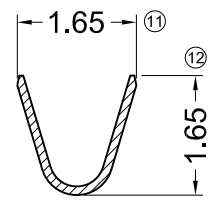


■ Specifications :

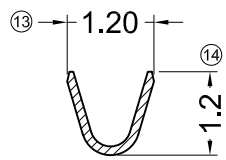
- Voltage rating: 50V AC / DC
- Current rating: 1A AC / DC
- Withstanding voltage: 500V AC/minute
- Temperature range: -25°C~+85°C
- Insulation resistance: ≥100MΩ
- Contact resistance: ≤30mΩ
- After environmental testing: ≤50mΩ

X1251 T X-P XX X-X
① ② ③ ④ ⑤ ⑥ ⑦

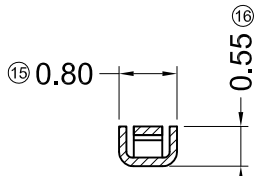
- ① Series Number
- ② Category: T-terminal
- ③ Shape: Blank-ordinary
- ④ Material: P-Phosphor bronze
- ⑤ Plating style: V01-Gold Flash ; SN-Bright tin plating
- ⑥ Plating method: Blank-Stamping before plating
- ⑦ Mold No./Mark/Special No.



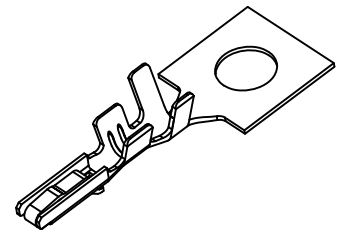
SECTION: A-A
SCALE: 1:1



SECTION: B-B
SCALE: 1:1



SECTION: C-C
SCALE: 1:1



| | | | | | |
|-------------|-----------------|------------|-----------------|--|-----------------------|
| X1251T-PV01 | Phosphor Bronze | AWG#26-30 | 1.00mm(Max) | Stamping Before Pating:30u" Ni MIN.; Whole Gold :Gold Flash | X1251H |
| X1251T-PSN | Phosphor Bronze | AWG#26-30 | 1.00mm(Max) | Stamping Before Plating:30u" MIN. Ni; 70u" MIN.Sn | |
| PART NO | Material | Wire Range | Insulation O.D. | Finish | Suitable XKB Terminal |

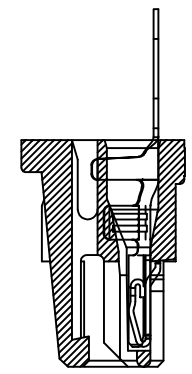
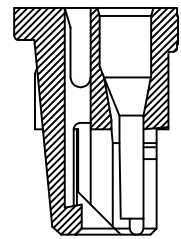
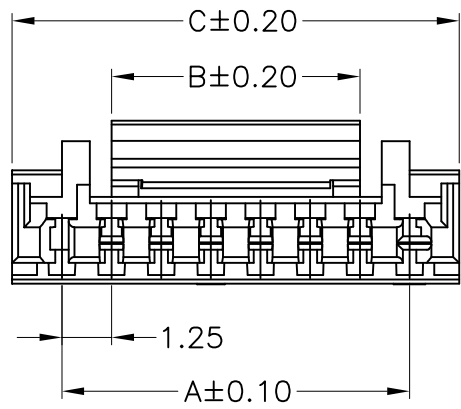
For and on behalf of
XKB INDUSTRIAL PRECISION CO., LIMITED
香港星坤工業精密有限公司

| | | | | | | |
|-----------|-------------|------|---------|----------|------------------------|-------|
| △ X | | | | | ANGULAR | ± 5° |
| △ X | | | | | L ≤ 4 | ± 0.2 |
| △ X | | | | | 4 < L ≤ 16 | ± 0.3 |
| MARK | DESCRIPTION | DATE | REVISED | APPROVED | 16 < L ≤ 63 | ± 0.4 |
| | | | | | L > 63 | ± 0.5 |
| REVISIONS | | | | | UNSPECIFIED TOLERANCES | |

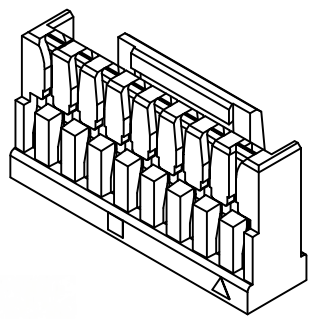
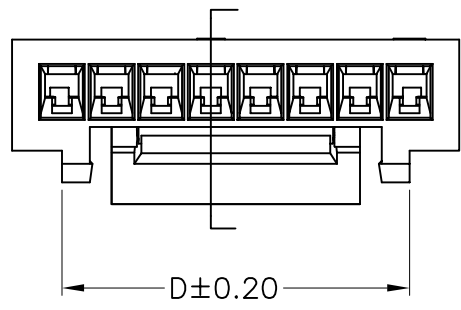
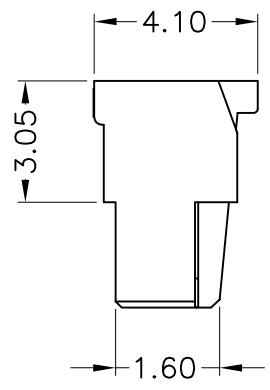
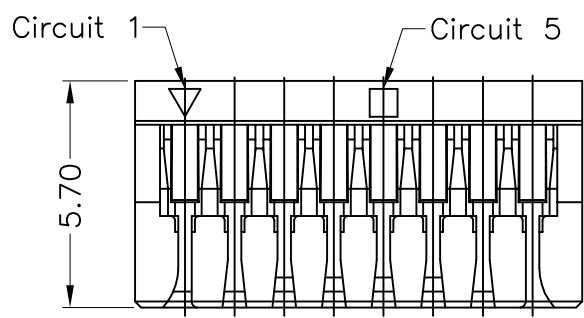
| | | | | | | |
|------|--|------|--|------------|-------------------------------|----------|
| DSND | | DATE | | SCALE: N/A | MODEL TYPE: X1251T-PXX | |
| DWN | | DATE | | VIEW: | PART NO.: | |
| CHKD | | DATE | | UNIT: mm | 1.25mm Crimp Style Connectors | |
| APPD | | DATE | | SIZE: A4 | DWG NO.: | |
| | | | | WEIGHT | SHEET | REVISION |
| | | | | 1.0g | 1/1 | A0 |

XKB INDUSTRIAL PRECISION CO., LIMITED

1 2 3 4 5 6 7 8



插线状态



■ Specifications :

- Voltage rating: 50V AC / DC
- Current rating: 1A AC / DC
- Withstanding voltage: 500V AC/minute
- Temperature range: -25°C~+85°C
- Insulation resistance: ≥100MΩ
- Contact resistance: ≤30mΩ
- After environmental testing: ≤50mΩ

X1251 H X -XX X -N0

- ① Series No.
- ② Category: H-HSG
- ③ Welding Board Angle: Blank-ordinary
- ④ Row No.-Pin No.: XX-02P~15P
- ⑤ Plug the Pin & Special No.
- ⑥ Material: N0-PA66 94V-0

| Circuits | Dimensions (mm) | | | |
|----------|-----------------|--------|--------|--------|
| | DIM. A | DIM. B | DIM. C | DIM. D |
| 02 | 1.25 | 2.20 | 3.75 | |
| 03 | 2.50 | 2.90 | 5.00 | |
| 04 | 3.75 | 4.20 | 6.25 | |
| 05 | 5.00 | 4.20 | 7.50 | |
| 06 | 6.25 | 6.25 | 8.75 | |
| 07 | 7.50 | 6.25 | 10.00 | |
| 08 | 8.75 | 6.25 | 11.25 | 8.75 |
| 09 | 10.00 | 6.25 | 12.50 | 10.00 |
| 10 | 11.25 | 8.20 | 13.75 | 11.25 |
| 11 | 12.50 | 8.20 | 15.00 | 12.50 |
| 12 | 13.75 | 8.20 | 16.25 | 13.75 |
| 13 | 15.00 | 8.20 | 17.50 | 15.00 |
| 14 | 16.25 | 8.20 | 18.75 | 16.25 |
| 15 | 17.50 | 8.20 | 20.00 | 17.50 |

| | | | |
|--------------|---------------|-----------------------|-----------------------|
| X1251H-XX-N0 | PA66 UL 94V-0 | X1251T | X1251W |
| PART NO | Material | Suitable XKB Terminal | Suitable XKB Terminal |

For and on behalf of
XKB INDUSTRIAL PRECISION CO., LIMITED
香港星坤工業精密有限公司

| | | | | | | |
|-----------|--|--|--|--|-------------|------------------------|
| △ X | | | | | ANGULAR | ±5° |
| △ X | | | | | L ≤ 4 | ±0.2 |
| △ X | | | | | 4 < L ≤ 16 | ±0.3 |
| △ X | | | | | 16 < L ≤ 63 | ±0.4 |
| MARK | | | | | L > 63 | ±0.5 |
| REVISIONS | | | | | | UNSPECIFIED TOLERANCES |

| | | | | | | |
|------|--|------|--|------------|-------------------------------|----------|
| DSND | | DATE | | SCALE: N/A | MODEL TYPE: X1251H-XX-N0HF | |
| DWN | | DATE | | VIEW: | PART NO.: | |
| CHKD | | DATE | | UNIT: mm | 1.25mm Crimp Style Connectors | |
| APPD | | DATE | | SIZE: A4 | DWG NO.: | |
| | | | | WEIGHT | SHEET | REVISION |
| | | | | 1.0g | 1/1 | A0 |

XKB INDUSTRIAL PRECISION CO., LIMITED